

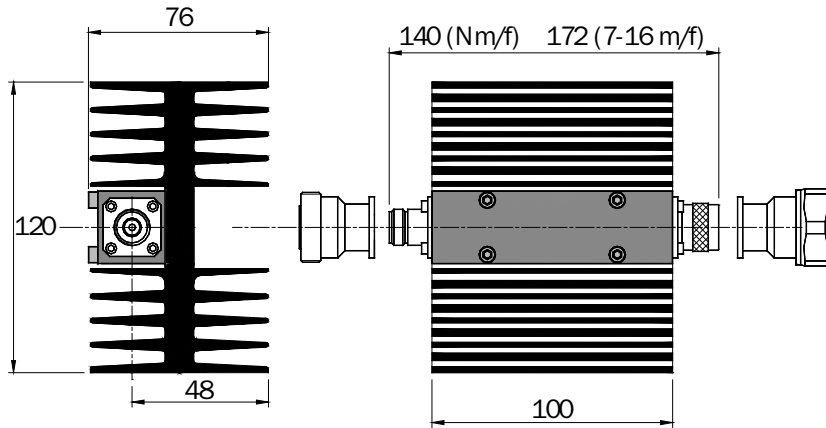
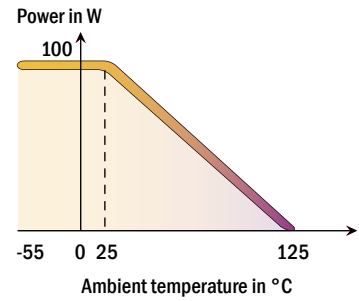
100 W 6 GHz Attenuator



Standards
NF C 96-315
MIL-DTL-3933



Impedance	$50 \Omega \pm 5\%$
Frequency	DC - 6 GHz
Max VSWR	≤ 1.20 at 3 GHz, ≤ 1.30 at 6 GHz
Temperature range	-55 to +125 °C
Average power @ 25 °C	100 W
Weight	1,1 kg



Dimensions in mm

Attenuation (dB)	P/N (N m/f)	P/N (7-16 m/f)	Accuracy $\pm\Delta\alpha$ (dB)
3	16-0616	16-0620	0.5
6	16-0629	16-0630	0.5
10	16-0617	16-0621	1
20	16-0618	16-0622	1
30	16-0619	16-0623	1

Others attenuations on request