

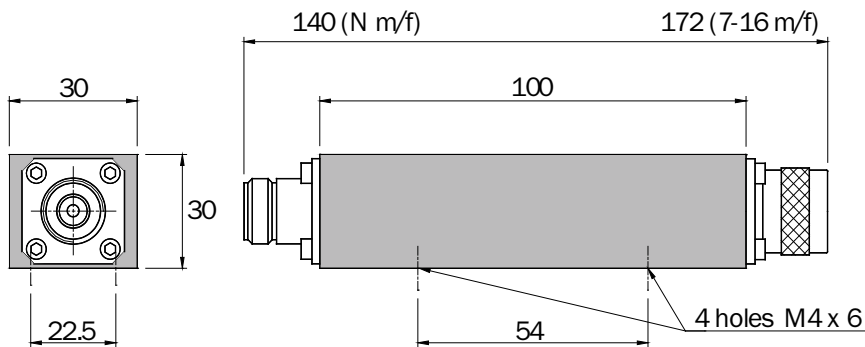
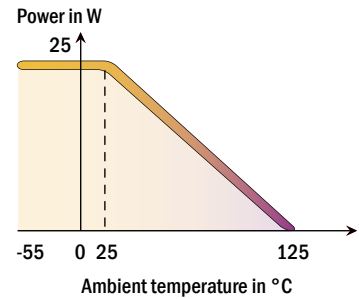
25 W 6 GHz Attenuator



Standards
NF C 96-315
MIL-DTL-3933



Impedance	50 Ω ± 5%
Frequency	DC - 6 GHz
Max VSWR	≤ 1.20 à 3 GHz, ≤ 1.30 at 6 GHz
Temperature range	-55 to +125 °C
Average power @ 25 °C	25 W
Weight	440 g



Dimensions in mm

Attenuation (dB)	P/N (N m/f)	P/N (7-16 m/f)	Accuracy ±Δα (dB)
3	16-0600	16-0604	0.5
6	16-0625	16-0626	0.5
10	16-0601	16-0605	1
20	16-0602	16-0606	1
30	16-0603	16-0607	1

Others attenuations on request