

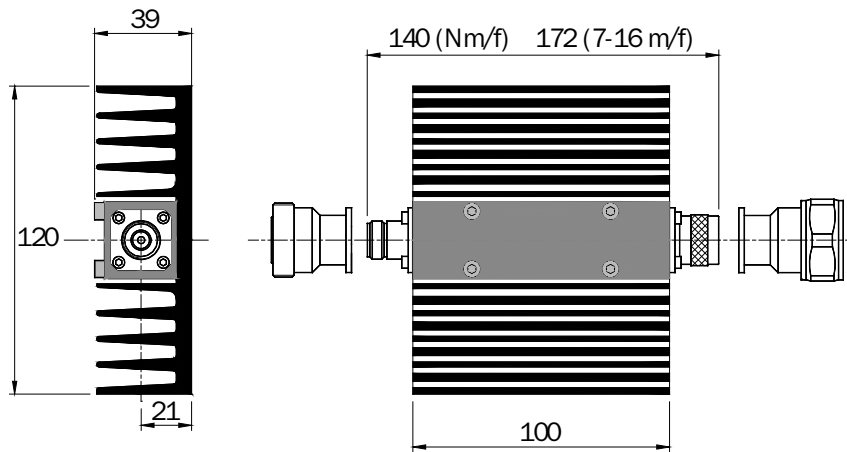
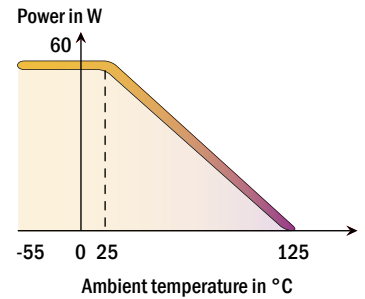
60 W 6 GHz Attenuator



Standards
NF C 96-315
MIL-DTL-3933



Impedance	50 Ω \pm 5%
Frequency	DC - 6 GHz
Max VSWR	\leq 1.20 at 3 GHz, \leq 1.30 at 6 GHz
Temperature range	-55 to +125°C
Average power @ 25°C	60 W
Weight	660 g



Dimensions in mm

Attenuation (dB)	P/N (N m/f)	P/N (7-16 m/f)	Accuracy $\pm\Delta\alpha$ (dB)
3	16-0608	16-0612	0.5
6	16-0627	16-0628	0.5
10	16-0609	16-0613	1
20	16-0610	16-0614	1
30	16-0611	16-0615	1

Others attenuations on request